



GALVANISED FULL STIRRUP POST SUPPORTS

NOV24

Compliant with the requirements of AS1684 and AS1720.

G GALVANISED

BOLTED TO CONCRETE



CAST INTO CONCRETE



APPLICATION

Full Stirrup Post Supports are brackets ideal for holding timber posts, installed by bolting onto or setting into concrete.

SPECIFICATION

VUETRADE Galvanised Steel Full Stirrup Post Supports are manufactured using G300 steel and corrosion protected with Hot Dipped Galvanised.

FASTENERS

- Saddle:** 2x Zinc-Nickel Coated VUEBOLT or appropriate M12 bolts with hex nuts
- Base:** 2x M12 concrete bolts or equivalent

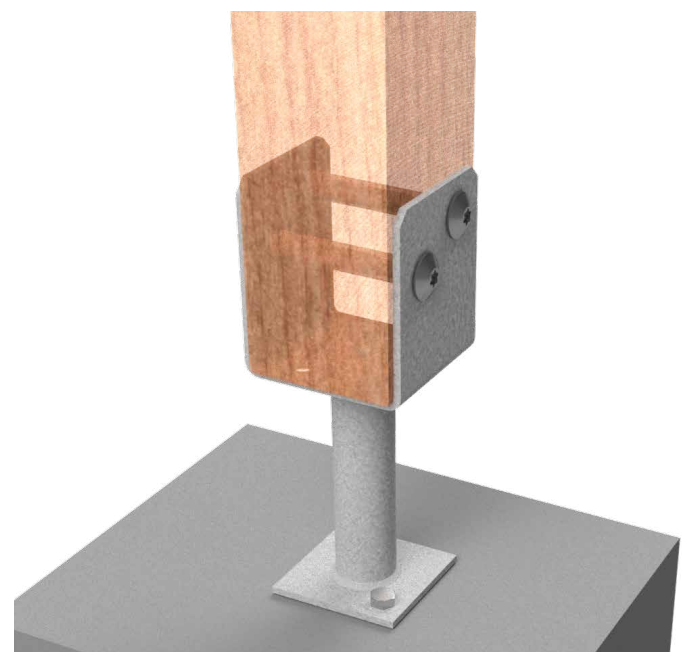
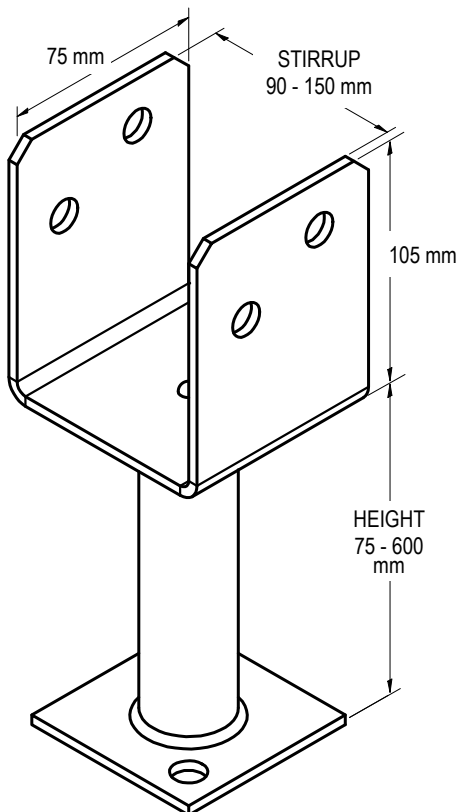
SIZES

Full Stirrup Post Support stirrup sizes range from 90 to 150mm, and leg sizes from 75 to 600mm. Common sizes include:

Product Code	Stirrup Size (mm)	Height (mm)	Box Qty
VPS13090	90	130	10
VPS130100	100	130	10
VPS130115	115	130	10
VPS130125	125	130	10
VPS300135	135	300	10
VPS450150	150	450	10
VPS600115	115	600	10
VPS30090BK **	90	300	10

* For extensive listing of standard and custom sized Full Stirrups, refer to the VUETRADE Full Stirrup Post Support webpage.

** BLACKOUT Full Stirrup Post Supports are manufactured in 4.0mm steel, corrosion protected with Hot-Dipped Galvanised and then black powder coated.

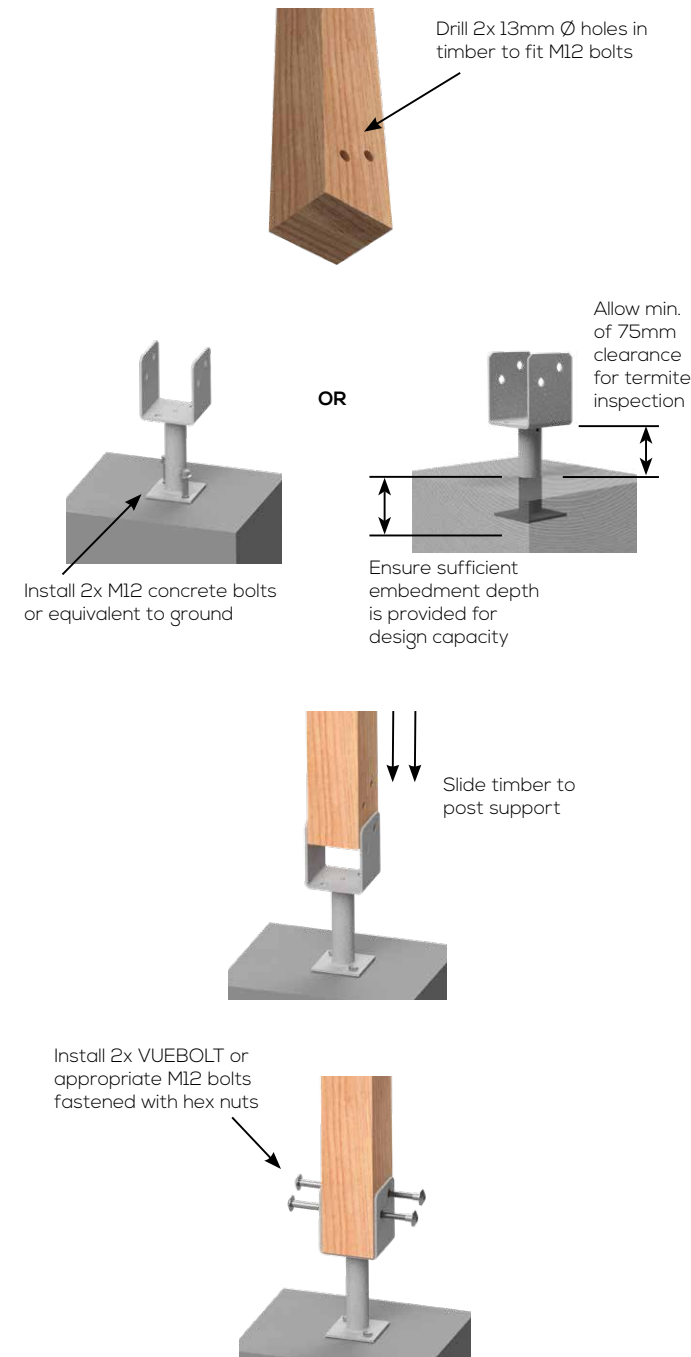




GALVANISED FULL STIRRUP POST SUPPORTS

NOV24

INSTALLATION GUIDE AND BOLT FIXING SCHEDULE



NOTES:

1. Embedment depth of VUETRADE Post Support should be determined and calculated by a Structural Engineer in order to achieve the reported design load. This usually depends on the type of concrete used, aggregate ratio etc.
2. 75mm clearance must be provided to conform to the requirements set out by AS3660.1:2014 - *Termite management, Part 1: New building work*.

DESIGN CAPACITY DATA

Table 1: Full Stirrup Post Support design capacities

Load Case	Design Capacity, N _{dj} (kN)					
	J3	J4	J5	JD3	JD4	JD5
Uplift capacity	12.7	10.0	8.7	15.8	12.7	11.0

NOTES:

1. Design capacity in Table 1 applies to VUETRADE Post Supports where 2x M12 bolts are installed and tightly fastened with nuts.
2. Timber posts must have minimum dimensions of 90mm by 90mm section and shall be installed flat to the base of the post support.
3. Design capacities for post supports bolted or cast into concrete assumed that there is sufficient anchorage in the concrete to resist the pull-out force imposed by wind loading.
4. Design capacities in the above table are for wind uplift (vertical force direction) only and are obtained under strict in-house test conditions defined by AS1649-2001 - *Timber - Methods of test for mechanical fasteners and connectors* & uplift capacity requirements outlined in AS1720.1-2010 - *Timber structures, Part 1: Design methods*.
5. VUETRADE Post Supports should only be used to resist wind uplift / dead load as specified in the TDS and should not be assumed to provide lateral stability. Sufficient bracing should be provided and approved by a structural engineer for lateral stability.
6. Design capacity of post support may be limited by the withdrawal tensile capacity of concrete bolts used to fasten post support to concrete ground. Ensure that suitable concrete bolts are used for above design capacities to be valid.

