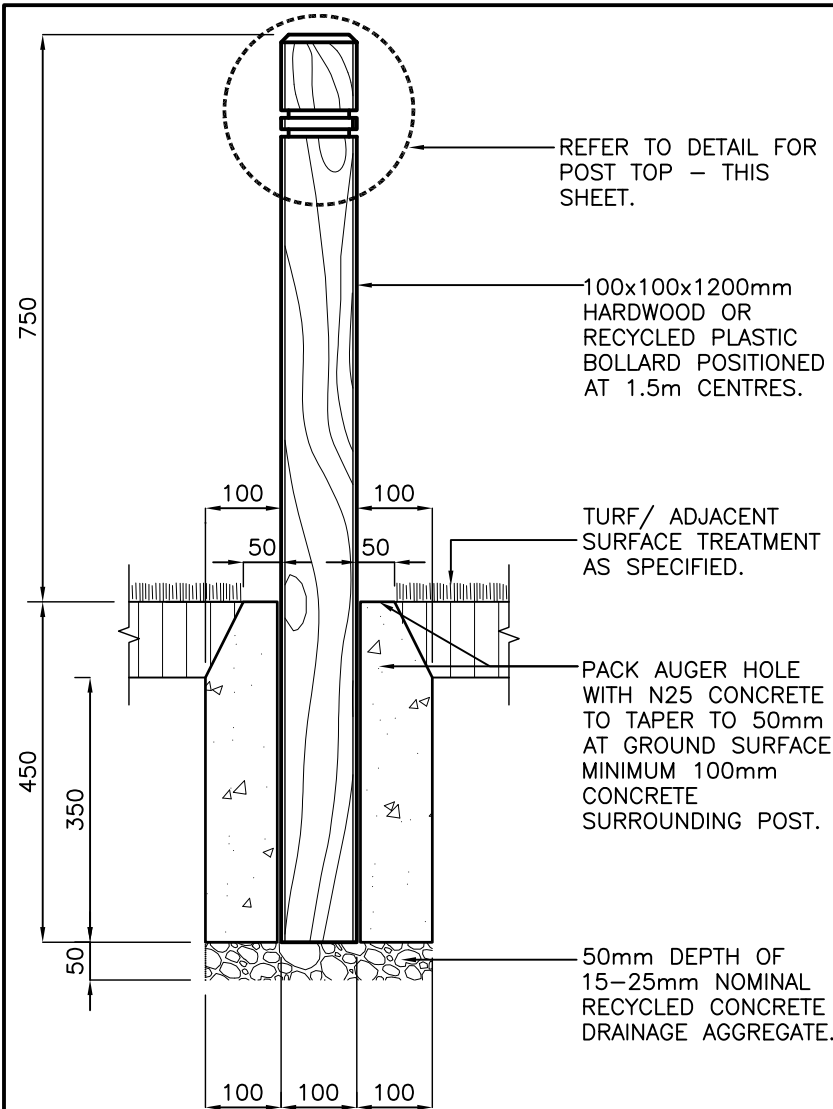
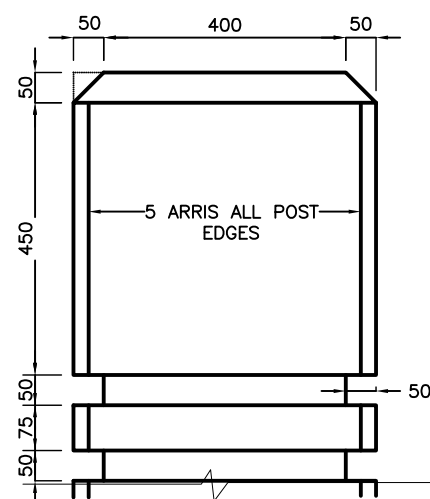


INTERIM RELEASE

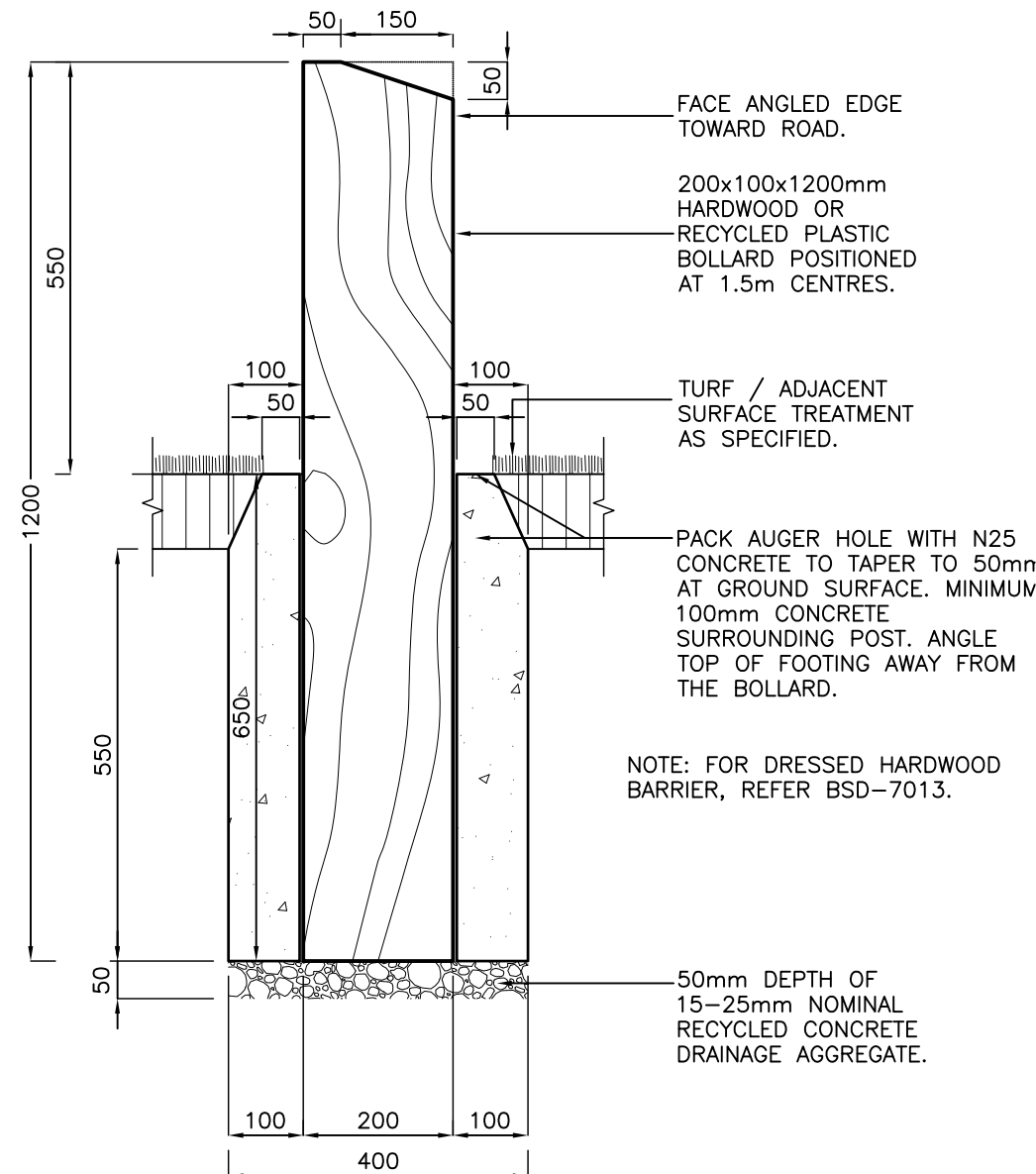
APPROVED FOR DISTRIBUTION APRIL 2014



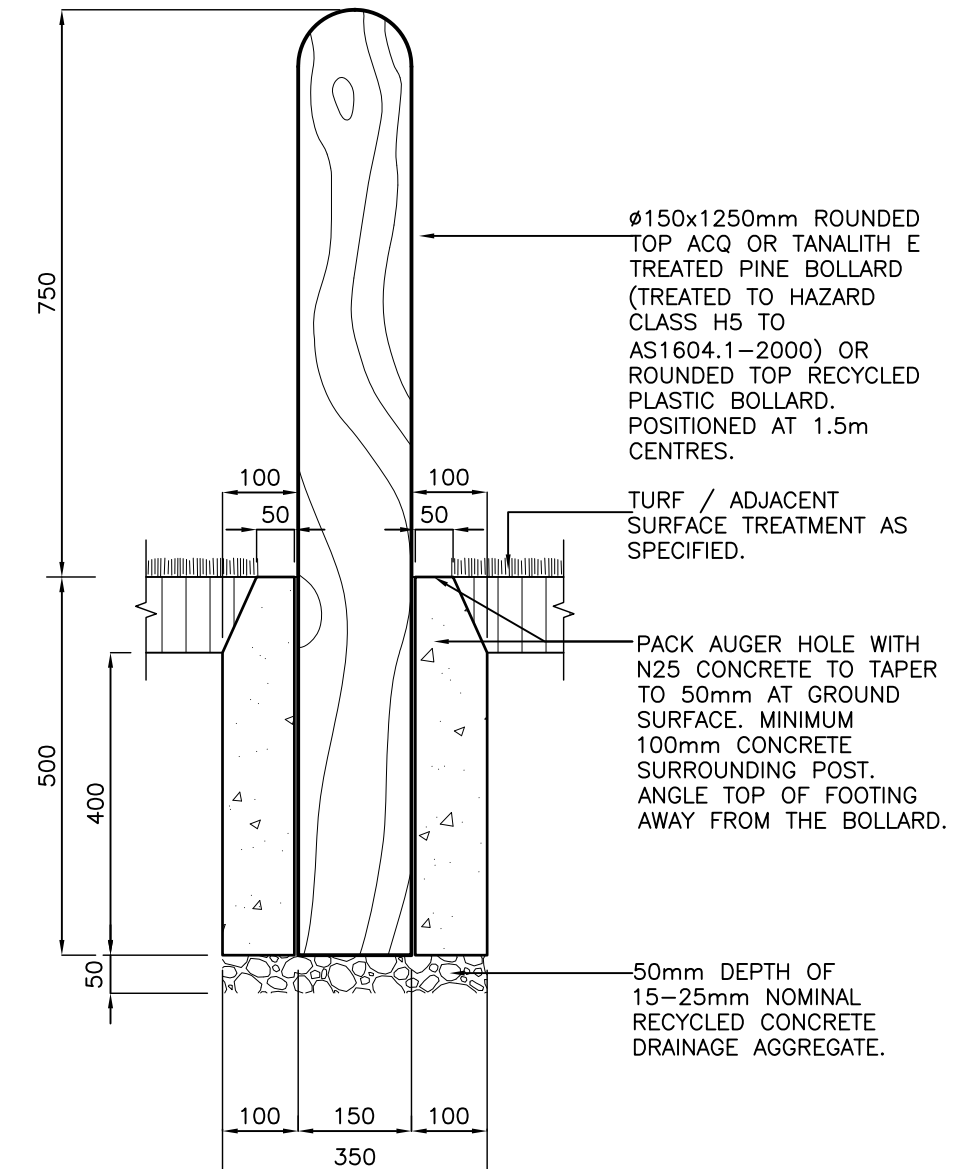
HERITAGE BOLLARD - SECTION
SCALE: 1:10



POST TOP - DETAIL ELEVATION
SCALE: 1:2



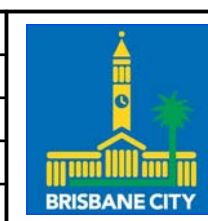
ANGLED TOP HARDWOOD BOLLARD - SECTION
SCALE: 1:10



DOME TOPPED BOLLARD - SECTION
SCALE: 1:10

ISSUE	AMENDMENT	DRAWN DATE	CHK'D DATE	APPR'D DATE
A	Drawing Converted From UMS Series April 2014	APR '14	APR '14	APR '14

DRAWING AUTHORISED FOR PUBLICATION			
DESIGN	Std Dwgs WG	DATE	OCT '13
DRAWN	CP0 - P&D	DATE	OCT '13
CHECKED	UMD - E&P & IMB	DATE	OCT '13
DRAWING FILENAME	BSD-7093.dwg		
ASSOCIATED PLANS	SUPERSEDES UMS-721 & UMS 722		



BRISBANE CITY COUNCIL STANDARD DRAWING	
BOLLARD - PARKS - HERITAGE, ANGLE AND DOME-TOPPED	
SCALE	AS SHOWN
DWG No.	BSD-7093
ORIGINAL SIZE	A3
REVISION	A